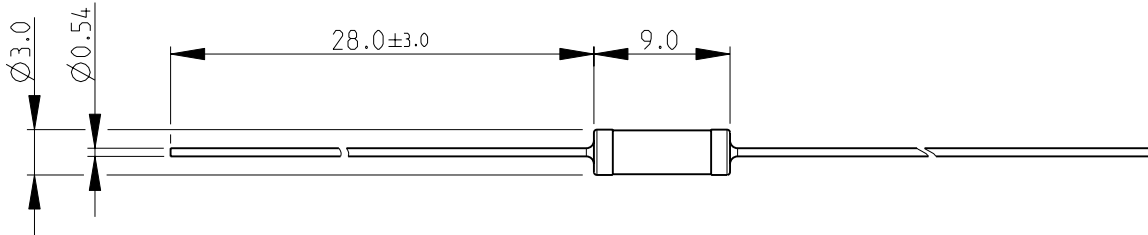
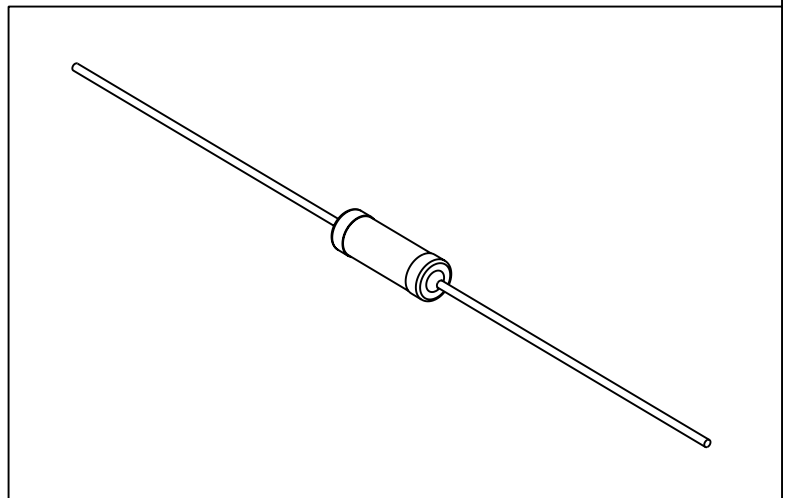


LOC	DIST	REVISIONS			
P	LTR	DESCRIPTION	DATE	DWN	APVD
E	B	BA	NEW RELEASE	20-Sep-08	SM St.P

FOR FURTHER INFORMATION SEE DATA SHEET FOR
CFR SERIES-CARBON FILM FIXED RESISTORS



RoHS Compliant



2008

RELEASED FOR PUBLICATION

THIS DRAWING IS UNPUBLISHED.

© COPYRIGHT 2008 BY TYCO ELECTRONICS CORPORATION. ALL RIGHTS RESERVED.

DIMENSIONS: mm	DWN SUBHASH.M	20-Sep-08	MATERIAL	-	FINISH	-	
	CHK PRAKASH.S	20-Sep-08	Tyco Electronics Corporation Dorcan, Swindon, SN3 5HH				
TOLERANCES UNLESS OTHERWISE SPECIFIED:	APVD STEPHEN.P	20-Sep-08					
	0 PLC ± 0.2	PRODUCT SPEC	NAME CARBON FILM FIXED RESISTORS SERIES CFR50				
1 PLC ± 0.1	APPLICATION SPEC						
2 PLC $\pm -$	WEIGHT	-	SIZE	A 4	CAGE CODE	00779	
3 PLC $\pm -$	CUSTOMER DRAWING		DRAWING NO	C- 1623933		RESTRICTED TO	-
4 PLC $\pm -$			SCALE	2:1	SHEET	1 OF 1	REV
ANGLES $\pm 5^\circ$	AMP 1469-35 REV 31MAR2000						

